

# Blast Chiller

## Main Features

SMART CHILL - Variable air velocity.

RC11 - 11kg Blast Chill capacity per cycle.

RC25 - 25kg Blast Chill capacity per cycle.

Food product is required to be correctly portioned in Gastronorm pans.

- Removable and adjustable shelf runners able to accept Gastronorm pans.
- Temperature display in °C.
- Mode selection timer or four point Frigiprobe by internal food temperature.
- Automatic preservation mode at the end of cycle.
- Defrost feature removes ice from evaporator.
- R404A refrigerant - CFC free.
- Self-closing door magnetically seals. Door remains open past 90°C for convenient loading and unloading.
- Internal coved corners, removable door gasket.
- Water protection index rating IP459.
- Adjustable legs for levelling.
- Temperature recorder with printer (optional).

## RR11A Air cooled condensing unit

## RR25A Air cooled condensing unit

## RR25S Remote condensing unit version

(Remote condensing unit not included.)

## Description

Foodservice & Bakery Reach-In Blast Chiller/Freezer designed to accept Gastronorm 1/1 pans



RR11A Blast Chill

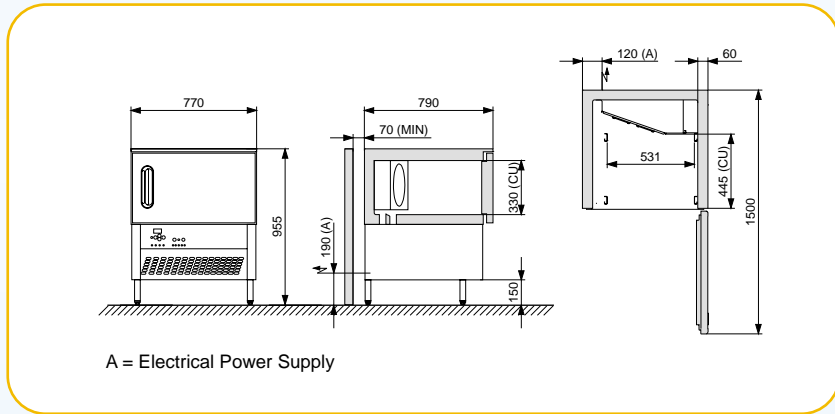


RR25A Blast Chill

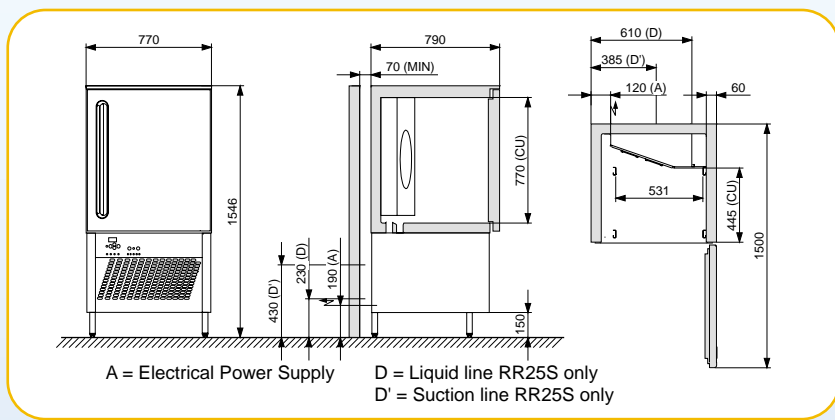
**SMARTCHILL**

**The Smarter  
Way to Chill**

# Specifications



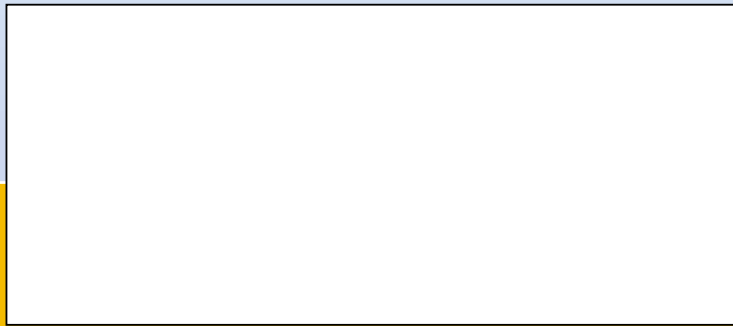
## RR11A



## RR25A RR25S

### Refrigeration Equipment RR25S only

- Complete remote condensing unit. Suitable for local conditions.
- Condensing capacity upright Blast Chiller 930/1900W for the respective evaporation temperatures of -20/0°C.
- Remote condensing unit with 'pump down' control.



### Disclaimer:

All unit capacities are based on subjective testing. Moffat accepts no liability for production values.



www.moffat.com.au

### Australia Moffat Pty Ltd

Victoria/Tasmania  
740 Springvale Road  
Mulgrave, Victoria 3170  
Telephone 03-9518 3888  
Facsimile 03-9518 3833  
Email vsales@moffat.com.au  
www.moffat.com.au

New South Wales  
Telephone 02-8833 4111  
Email nswsales@moffat.com.au

South Australia  
Telephone 08-8274 2116  
Email dmiller@moffat.com.au

Queensland  
Telephone 07-3630 8600  
Email qldsales@moffat.com.au

Western Australia  
Telephone 08-9305 8855  
Email jberent@moffat.com.au

### New Zealand Moffat Ltd

Christchurch  
Telephone 03-389 1007  
Email sales@moffat.co.nz  
www.moffat.co.nz

Auckland  
Telephone 09-574 3150  
Email sales@moffat.co.nz

In line with policy to continually develop and improve its products, Moffat Ltd. reserves the right to change specifications and design without notice.

Printed in New Zealand

Copyright Moffat Ltd

Moffat/2475/BH/3M/9.02

## RR11A

### Dimensions

W 770mm x D 790mm x H 955mm

### Kg capacity per cycle

Blast chilling from +70°C to +3°C temperature, capacity per cycle 11kg

### Electrical rating

230 - 240Vac 1P+N+E 50Hz 2100W

### Refrigerant type

R404A

### Standard pan capacity

3 GN 1/1 capacity

### Clearances

Top 70mm; Side 70mm

## RR25A, RR25S

### Dimensions

W 770mm x D 790mm x H 1546mm

### Kg capacity per cycle

Blast chilling from +70°C to +3°C temperature, capacity per cycle 25kg

### Electrical rating

230 - 240Vac 1P+N+E 50Hz  
A 2280W; S 450W

### Refrigerant type

R404A

### Standard pan capacity

7 GN 1/1 capacity

### Clearances

Top 70mm; Side 70mm